



# L35

2U Liquid Cooler

**PRODUCT SPECIFICATIONS**

Specification Version: 03/18/2024

*(Specifications are subject to change without notice)*

## Model Number: L35

- Recommend for CPU as following
  - AMD® Socket AM2/AM3/AM4/AM5/FM1/FM2;
  - Intel® Socket FCLGA 1150, 1151, 1155, 1156, 1366;
  - Intel® Socket LGA 1700;
  - Intel® Socket FCLGA 2011(sq), 2066(sq);
- Liquid cooler for 2U server & up

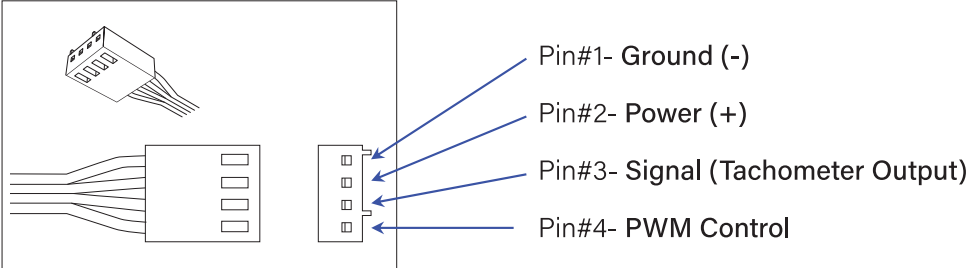
## Overall Specification

- Cold Plate Module with Copper base
- Space-saving lightweight Radiator
- Triple 8 cm Cooling Fans with 4-Pin PWM Function
- Stand-alone Water Pump with Powerful Flow Rate 2.9 Litter Per Minute
- 300 mm Black Pair EPDM Tube Assembled
- Mounting Accessories are included
- Shin-Etsu 7762 or Equivalent Thermal Compound Pre-Printed on Base
- Support CPU Overclocking Power Mode up to 305 Watts Heat Dissipation at 30°C ambient temperature

## Cooling Fan Specification

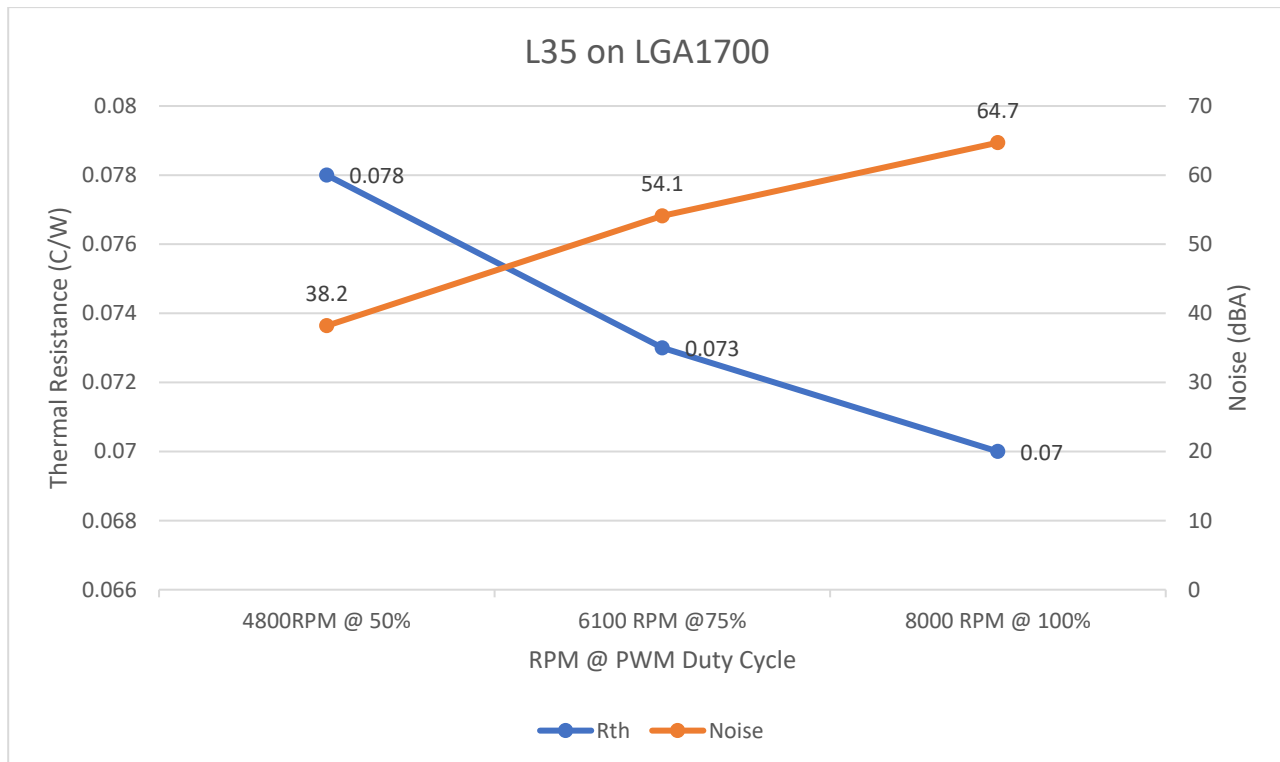
Model Number	DF128038BU
Dimension	80 x 80 x 38 mm
Bearing	Liquid State
Rated Voltage	12V
Rated Speed	At Duty Cycle 0~20%: 2400± 200 RPM At Duty Cycle 50%: 4800± 10% RPM At Duty Cycle 100%: 8000±10% RPM
Input Power	At Duty Cycle 0~20%: 1.20 W At Duty Cycle 50%: 5.52 W At Duty Cycle 100%: 24.72 W
Maximum Airflow	At Duty Cycle 0~20%: 35.52CFM At Duty Cycle 50%: 67.24 CFM At Duty Cycle 100%: 115.61 CFM
Rated Static Pressure	At Duty Cycle 0~20%: 1.39 mm-H2O At Duty Cycle 50%: 5.97 mm-H2O At Duty Cycle 100%: 34.06 mm-H2O
Acoustical Noise	At Duty Cycle 0~20%: 25.63 dBA

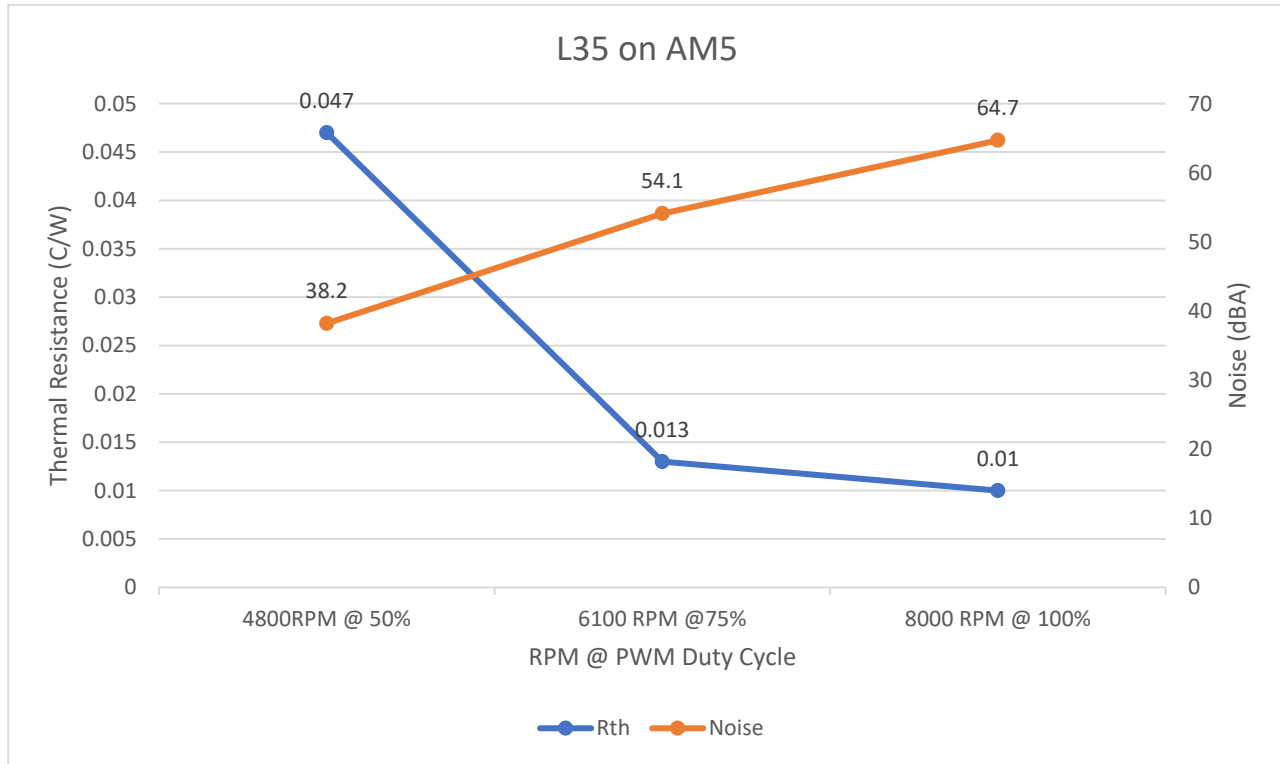
	At Duty Cycle 50%: 47.85 dBA At Duty Cycle 100%: 64.40 dBA
Lead Wire Pin Out	Pin#1- Black(-) Pin#2- Yellow(+) Pin#3- Green(Tachometer/ Signal Output) Pin#4- Blue (PWM)



## Performance Chart: Liquid Cooler L35 Thermal Resistance vs. Fan Speed @ PWM Duty Cycle

**LGA 1700:**



**AM5:**

**Publication History:**

02/13/2023: Initial Release

03/18/2024: V1.0 Pump Location Change

*(Specifications are subject to change without notice)*

4

3

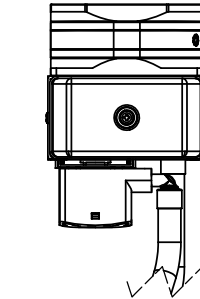
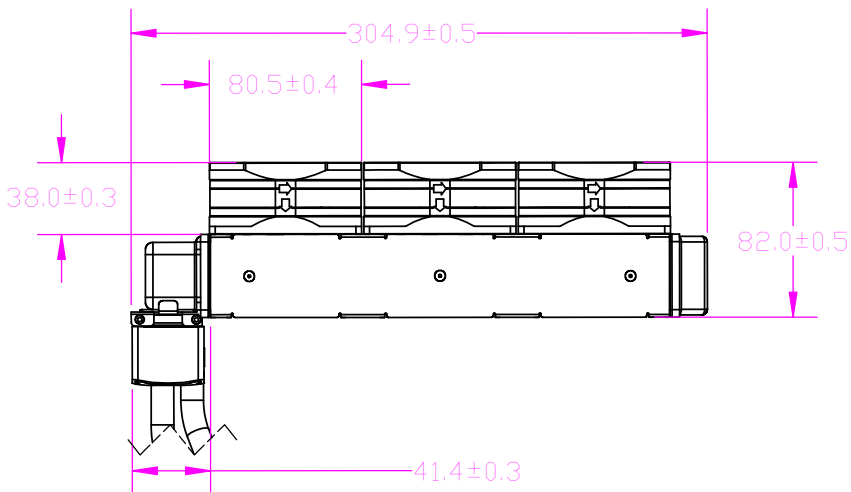
2

1

REV#	DESCRIPTION	CHECKER	DATE
0.0	INITIAL RELEASE	JUN	2/10/23
1.0	PUMP LOCATION CHANGE	JUN	3/18/24

F

F

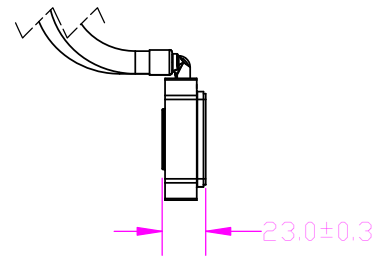
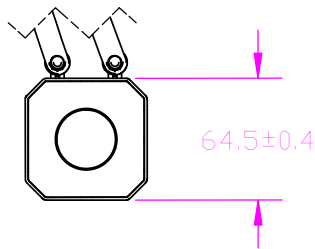


E

E

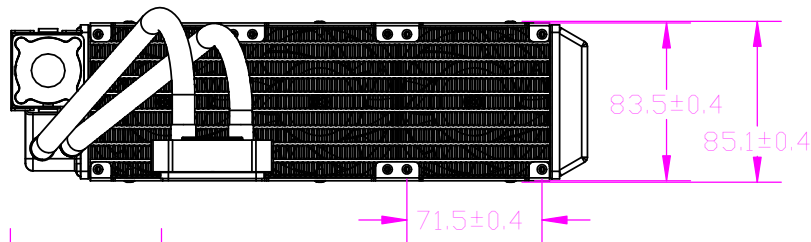
D

D



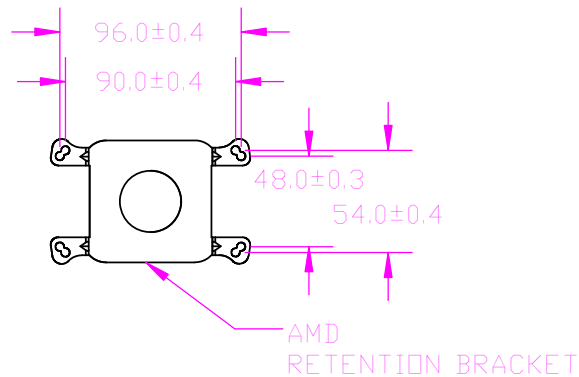
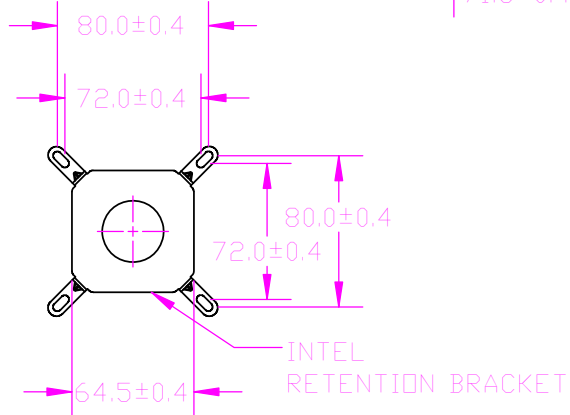
C

C



B

B



	NAME	DATE
DRAWN BY	JUN	3/18/2024
CHECKED BY	JUN	3/18/2024
ENG. APPROVED		
MFG. APPROVED		



DYNATRON CORPORATION

TOP MOTOR

TITLE:

LIQUID COOLER L35  
OVERALL DIMENSION DRAWING

**CONFIDENTIAL DOCUMENT**

THIS DRAWING CONTAINS INFORMATION PROPRIETARY TO DYNATRON CORPORATION AND DYNAEON INDUSTRIAL CO., LTD. ANY REPRODUCTION, DISCLOSURE, OR USE OF THIS DRAWING IS EXPRESSLY PROHIBITED EXCEPT AS DYNATRON CORPORATION AND DYNAEON INDUSTRIAL CO., LTD. MAY OTHERWISE AGREE TO IN WRITING.

VIEW	
UNITS	MM

DWG. No:	DYN-BD-L35
----------	------------

REV.	1.0
------	-----

A

A

4

3

2

1

2

1

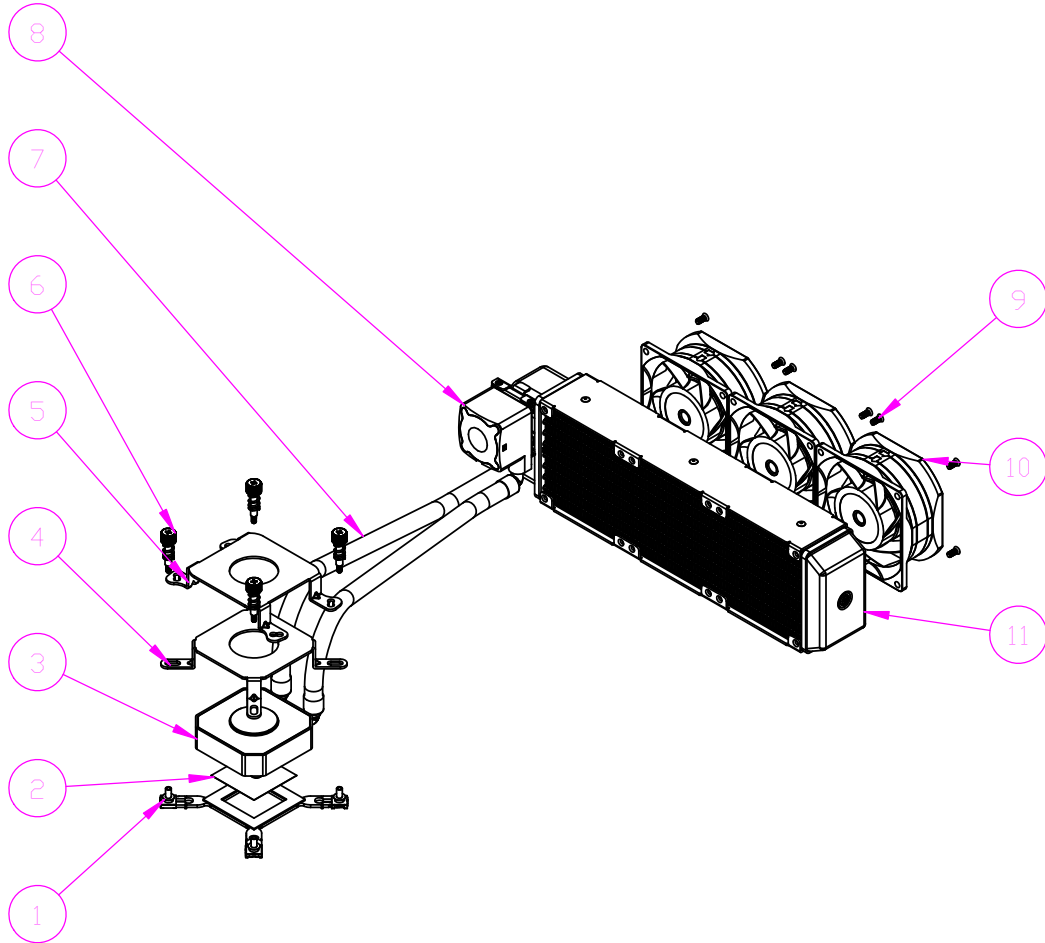
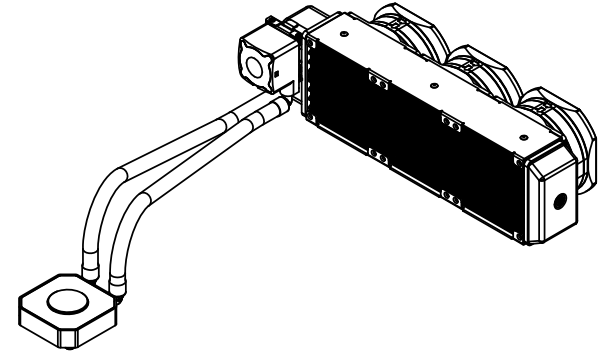
# CONFIDENTIAL DOCUMENT

THIS DRAWING CONTAINS INFORMATION PROPRIETARY TO DYNATRON CORPORATION AND DYNAEON INDUSTRIAL CO., LTD. ANY REPRODUCTION, DISCLOSURE, OR USE OF THIS DRAWING IS EXPRESSLY PROHIBITED EXCEPT AS DYNATRON CORPORATION AND DYNAEON INDUSTRIAL CO., LTD. MAY OTHERWISE AGREE TO IN WRITING.

REV#	DESCRIPTION	CHECKER	DATE
0.0	INITIAL RELEASE	JUN	02/10/24
1.0	PUMP LOCATION CHANGE	JUN	03/18/24

B

B



A

A

11	RADIATOR	ALUMINUM ALLOY	1
10	FAN, DF128038BX-PWM	PLASTIC	3
9	SCREW, FANS	STEEL	12
8	PUMP, PUMP-60	PLASTIC	1
7	HOSE, 300MM	EPDM	2
6	SCREW, RETENTION (INCLUD AM4/5, INTEL LGA1700/115X, LGA2011)	STEEL	12
5	AMD RETENTION BRACKET	STEEL	1
4	INTEL RETENTION BRACKET	STEEL	1
3	COLD PLATE	PLASTIC LID, CU BASE	1
2	THERMAL GREASE	SHIN-ETSU X23-8079-2	N/A
1	INTEL BACKPLATE	STEEL	1
ITEM #	DESCRIPTION	MATERIAL	QTY.

	DATE	NAME	
DRAWN	3/18/2024	JUN	
CHECKED	3/18/2024	JUN	
ENG.APPR.			
MFG.APPR.			
COMMENTS:			TITLE: 2U LIQUID COOLER L35 BOM & exploded Assembly Drawing
			DWG. NO. DNY-EP-L35
			REV 1.0

NOTES:  
THE FIGURE IS FOR REFERENCE ONLY, AND NOT FOR SCALE

2

1